

SPL-48

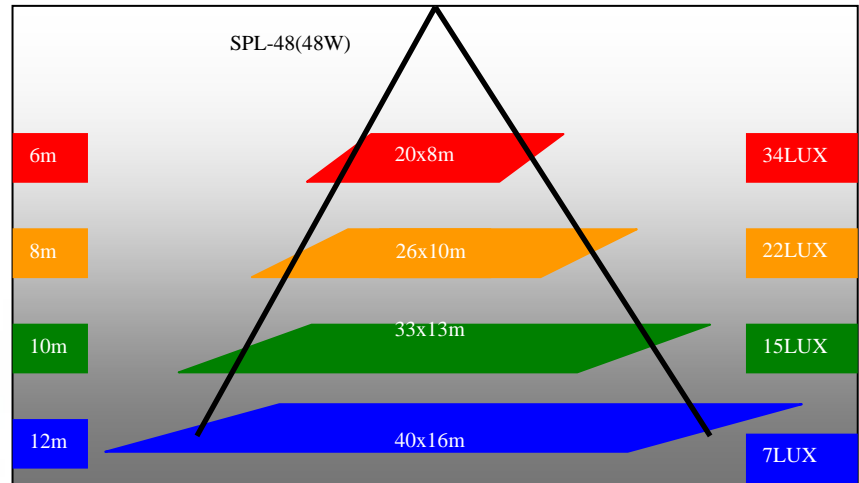
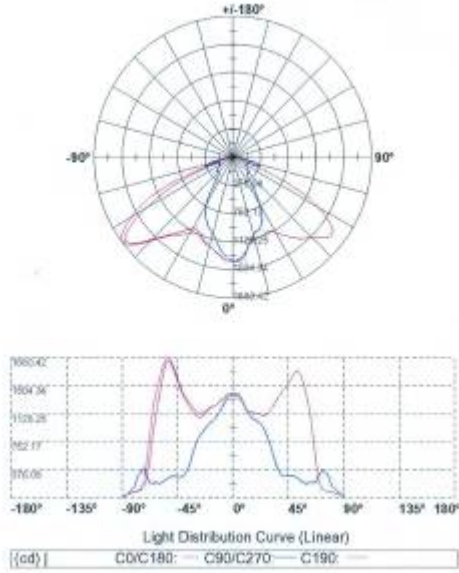


Item No.	SPL-48	
Suggested light replacement	150W Sodium Lamp	
LED Source	Cree high power LED, 100 - 114lm/W	
LED Quantity	48Pcs	
LED Initial Flux	5136lm	
Lamp Total Power	60W	
Power Efficiency	85%	
Lamp Total Flux	4600lm (Tj=25°C)	
Lamp's Efficiency	75lm/W	
Average Illumination and Effective Illuminated Area	6M Height	20mx8m ≥34lx
	8M Height	26mx10m ≥22lx
	10M Height	33mx13m ≥15lx
	12M Height	40mx16m ≥7lx
Color Index(CRI)	Ra > 75	
Color Temperature(CCT)	Cool white: 5000 - 7000K Pure white: 3700 - 5000K Warm white: 2600 - 3700K	
Beam Angle	Horizontal Axis: 120° and 140° Vertical Axis: 60° and 68°	
Light Distribution Curve (Beam Pattern)	Asymmetric (Bat Wing) Rectangular Beam	
Input Voltage	85 - 264VAC or 12V/24VDC	
Frequency Range	47- 63Hz	
Power Factor(PF)	> 0.95	
Total Harmonic Distortion(THD)	< 15%	
Storage Temperature	- 40°C - +80°C	
Working Environment	- 40°C - +50°C; 10% - 95%RH	
Junction Temperature(Tj)	60°C±10% (ta=25°C)	
Light Body and Lampshade Material	Aluminum Alloy and PC	
Working Lifetime	> 50000hrs	
IP Rating	IP65	
Net Weight	6,9kg	
Gross Weight	8kg	
Product Size (mm)	494x315x86	
Package Size(mm)	565x380x160	

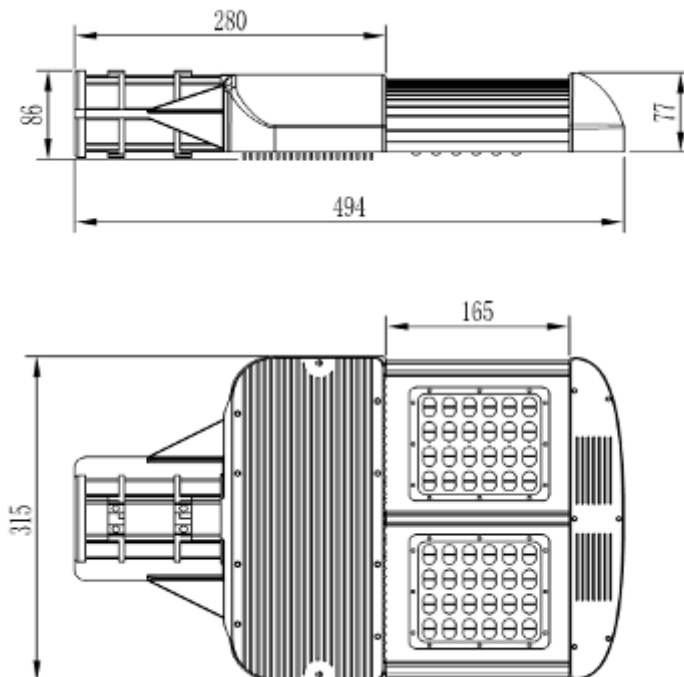
*Suggest pole height: 6 - 8m, pole distance: 20 - 25m

SPL-48 Light Distribution Curve

SPL-48 lx on Ground at Different Height



SPL-48 Drawing



SPL-96

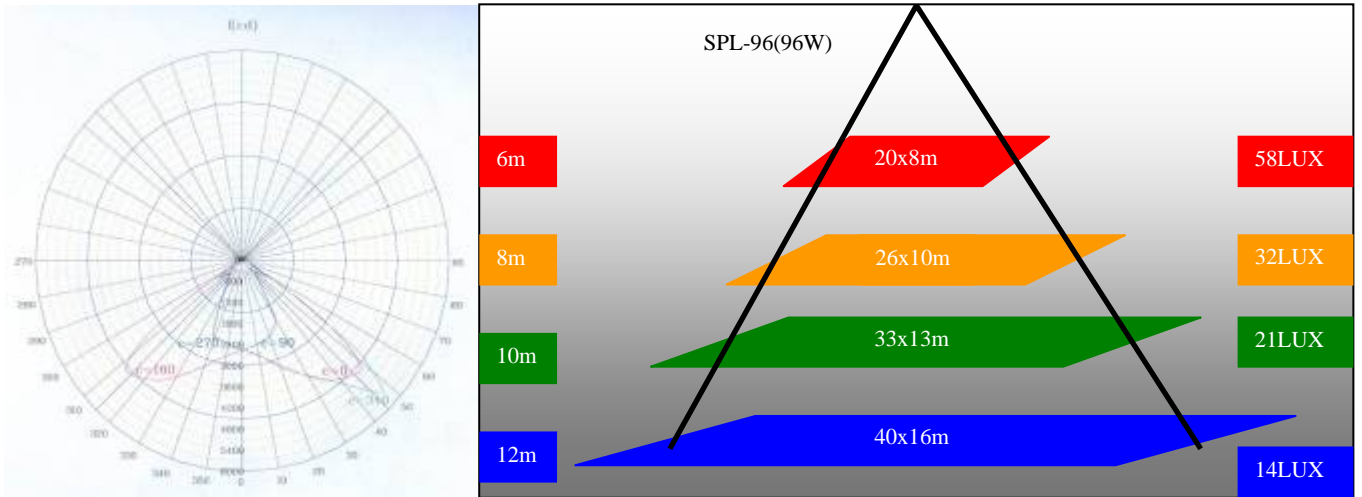


Item No.	SPL-96	
Suggested light replacement	250W Sodium Lamp	
LED Source	Cree high power LED, 100 - 114lm/W	
LED Quantity	96Pcs	
LED Initial Flux	10272lm	
Lamp Total Power	120W	
Power Efficiency	88%	
Lamp Total Flux	9000lm (Tj=25°C)	
Lamp's Efficiency	80lm/W	
Average Illumination and Effective Illuminated Area	6M Height	20mx8m ≥58lx
	8M Height	26mx10m ≥32lx
	10M Height	33mx13m ≥21lx
	12M Height	40mx16m ≥14lx
Color Index(CRI)	Ra > 75	
Color Temperature(CCT)	Cool white: 5000 - 7000K Pure white: 3700 - 5000K Warm white: 2600 - 3700K	
Beam Angle	Horizontal Axis: 120° and 140° Vertical Axis: 60° and 68°	
Light Distribution Curve (Beam Pattern)	Asymmetric (Bat Wing) Rectangular Beam	
Input Voltage	85 - 264VAC or 12V/24VDC	
Frequency Range	47 - 63Hz	
Power Factor(PF)	> 0,98	
Total Harmonic Distortion(THD)	< 15%	
Storage Temperature	-40°C - +80°C	
Working Environment	-40°C - +50°C; 10% - 95%RH	
Junction Temperature(Tj)	60°C ± 10% (ta=25°C)	
Light Body and Lampshade Material	Aluminum Alloy and PC	
Working Lifetime	> 50000hrs	
IP Rating	IP65	
Net Weight	9,5kg	
Gross Weight	11kg	
Product Size (mm)	629x315x86	
Package Size(mm)	680x380x160	

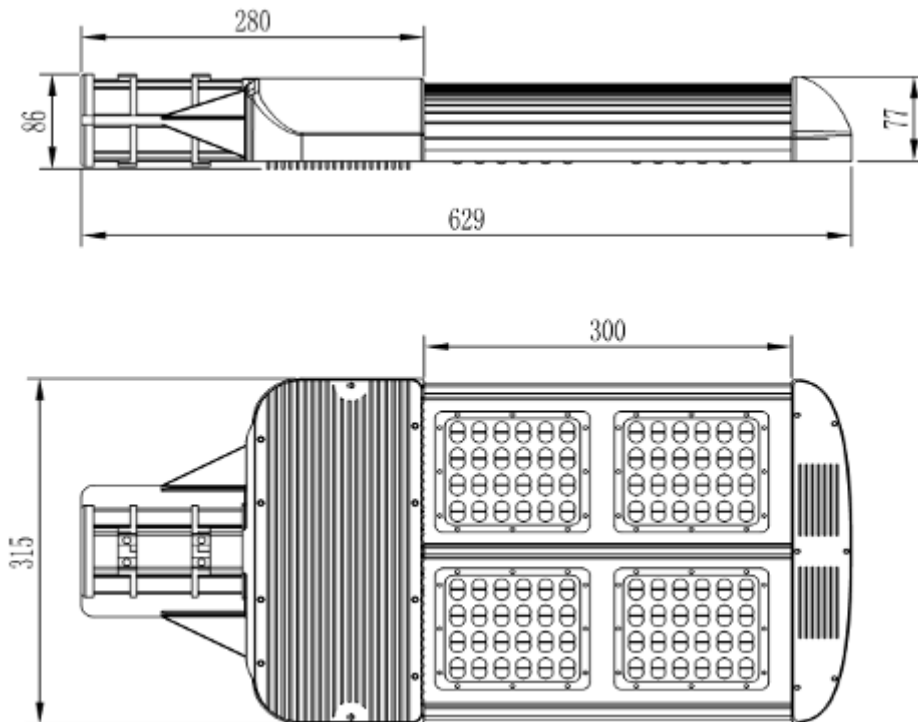
*Suggest pole height: 8 - 10m, pole distance: 25 - 30m

SPL-96 Light Distribution Curve

SPL-96 Lux on Ground at Different Height



SPL-96 Drawing



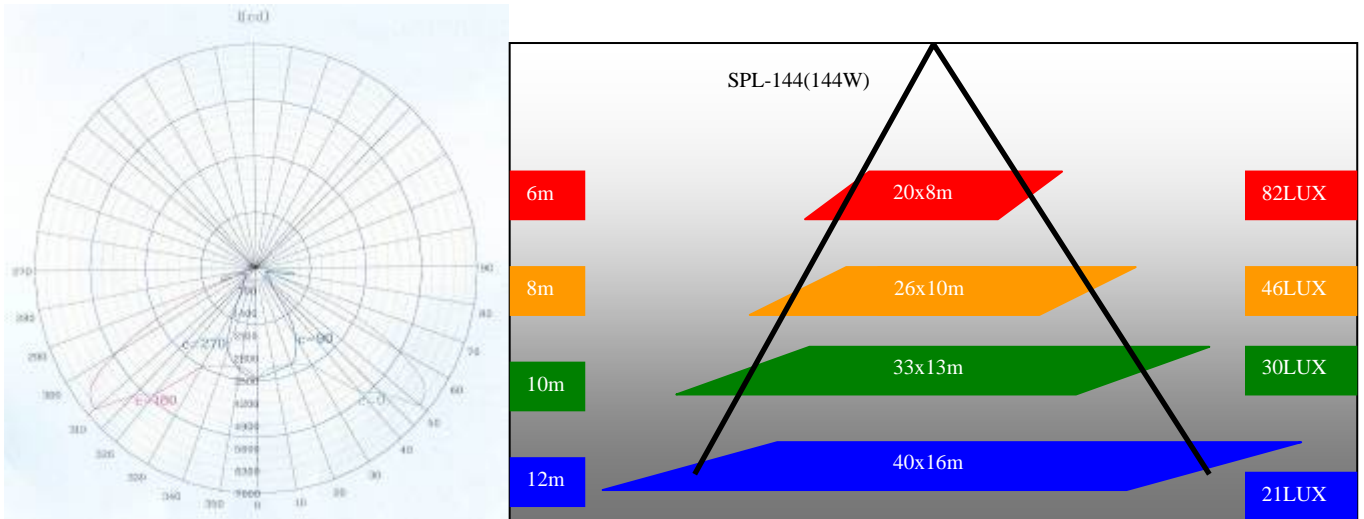
SPL-144



Item No.	SPL-144	
Suggested light replacement	400W Sodium Lamp	
LED Source	Cree high power LED, 100 - 114lm/W	
LED Quantity	144Pcs	
LED Initial Flux	15408lm	
Lamp Total Power	180W	
Power Efficiency	88%	
Lamp Total Flux	14000lm (Tj=25C)	
Lamp's Efficiency	80lm/W	
Average Illumination and Effective Illuminated Area	6M Height	20mx8m ≥82lx
	8M Height	26mx10m ≥46lx
	10M Height	33mx13m ≥30lx
	12M Height	40mx16m ≥21lx
Color Index(CRI)	Ra > 75	
Color Temperature(CCT)	Cool white: 5000 - 7000K Pure white: 3700 - 5000K Warm white: 2600 - 3700K	
Beam Angle	Horizontal Axis: 120° and 140° Vertical Axis: 60° and 68°	
Light Distribution Curve (Beam Pattern)	Asymmetric (Bat Wing) Rectangular Beam	
Input Voltage	85 - 264VAC	
Frequency Range	47 - 63Hz	
Power Factor(PF)	>0,98	
Total Harmonic Distortion(THD)	<10%	
Storage Temperature	-40°C - +80°C	
Working Environment	-40°C - +50°C; 10% - 90%RH	
Junction Temperature(Tj)	60°C±10% (ta=25C)	
Light Body and Lamphshade Material	Aluminum Alloy and PC	
Working Lifetime	>50000hrs	
IP Rating	IP65	
Net Weight	12,2kg	
Gross Weight	14kg	
Product Size (mm)	764x315x86	
Package Size(mm)	830x380x160	

*Suggest pole height: 10 - 12m, pole distance: 30 - 35m

SPL-144 Light Distribution Curve SPL-144 Lux on Ground at Different Height



SPL-144 Drawing

